

FRONT AND REAR BUSHING APPLICATIONS

BLUEBIRD - GMC

MFR	SIDE BAR C/L TO C/L	SPRING WIDTH	BUSHING O.D.		REAR SHACKLE (1 per side)		FRONT ANCHOR (1 per truck)		MAX. AXLE RATING	COMMENTS
			EYE	HANGAR	KIT	FIGURE P. 7-10	KIT	FIGURE P. 7-10		
BLUE BIRD	3.75	4.00	1.50	1.50	994534	4	-	-	20,000	-
FORD / STERLING	-	-	-	1.71	994528	-	-	-	20,000	Ford hanger bracket (F7HT 5338 AA) & Horton roller bushing only
	-	-	-	1.71	994529	-	-	-	20,000	Ford hanger bracket (F8HT 5338 BA) & Horton roller bushing only
	-	-	-	1.71	994567	-	-	-	20,000	Ford hanger bracket (F7HT 5338 BA) & Horton roller bushing only
	3.75	4.00	1.25	1.25	994519	1	-	-	12,000	Steel side bars
	5.25	4.00	2.25	2.25	994524	4	-	-	20,000	-
	3.75	4.00	1.25	1.25	994438	1	-	-	12,000	Aluminum side bars. 2 ribbed bushings
	4.00	4.00	1.25	1.25	994473	1	-	-	12,000	-
	4.62	4.00	1.25	1.25	994439	1	-	-	12,000	2 ribbed bushings.
	3.69	4.00	1.42	1.42	994503	1	-	-	16,000	-
	-	4.00	1.50	-	-	-	994434	6	20,000	Replacement of OEM installed bronze bushing in heavy duty suspension. Currently, nothing offered to retrofit standard suspension with factory installed bronze bushing.
	3.50	4.00	1.50	1.50	994533	1	-	-	20,000	Steel side bars. Replacement of OEM installed bronze bushing in the heavy-duty or standard suspension
	4.00	4.00	1.50	1.50	994507	1	-	6	20,000	Ford Aero - 1994 & Later
	-	4.00	1.70	-	994510	-	994509	6	20,000	Straight pin. Does not use collar as pictured in Figure 6. Pin length 6.90". Replacement of OEM installed Horton bushing in heavy-duty suspension.
	-	4.00	1.70	-	994510	-	994510	6	20,000	Straight pin. Does not use collar as pictured in Figure 6. Pin length 6.65". Replacement of OEM installed Horton bushing in standard suspension.
-	-	-	1.71	994597	-	-	-	20,000	Ford hanger bracket (F6HT-5335-CA) & Horton roller bushing only.	
5.25	4.00	2.25	2.25	994524	4	-	-	20,000	For HX chassis.	
FREIGHTLINER	4.25	4.25	1.38	1.38	994424	4	-	-	16,000	-
	5.25	3.50	1.50	1.50	994404	4	994487	6	20,000	-
	5.25	4.00	1.50	1.50	994408	4	994434	6	20,000	-
	5.25	4.00	1.50	1.63	994409	4	994434	6	20,000	-
	4.13	4.00	1.50	1.63	994410	4	994434	6	20,000	-
	4.13	4.00	1.50	1.50	994475	4	994434	6	20,000	112 heavy-duty
	5.25	3.50	1.61	1.50	994485	4	-	-	20,000	To 1982 cab over w/ #16-11265 spring
	5.25	3.50	1.63	1.50	994406	4	994488	6	20,000	-
	5.25	3.50	1.63	1.63	994407	4	994488	6	20,000	-
	5.25	4.00	1.63	1.63	994411	4	994489	6	20,000	-
	5.25	4.00	2.25	2.25	994524	4	-	-	20,000	Century - 1996 & newer
-	4.00	1.50	1.50	994603	4	-	-	20,000	No side bars. Hanger width 3.50".	
GMC	3.50	3.00	1.69	1.69	994420	4	-	-	20,000	-
	3.50	4.00	1.69	1.69	994421	4	-	-	20,000	-

If you are unable to locate an application that meets your specifications, see Page 4.

FRONT AND REAR BUSHING APPLICATIONS

INTERNATIONAL - PETERBILT

MFR.	SIDE BAR C/L TO C/L	SPRING WIDTH	BUSHING O.D.		REAR SHACKLE (1 per side)		FRONT ANCHOR (1 per truck)		MAX. AXLE RATING	COMMENTS
			EYE	HANGAR	KIT	FIGURE P. 7-10	KIT	FIGURE P. 7-10		
I N T E R N A T I O N A L	4.00	4.00	THD*	THD*	994511	3	-	-	12,000	9600 Series - 1995 & Newer
	3.50	4.00	1.25	1.25	994433	2	-	-	12,000	Threaded side bar
	3.50	3.00	1.50	1.50	994514	4	-	-	20,000	School Bus
	3.50	4.00	1.50	1.50	994416	2	-	-	20,000	Threaded side bars
	4.00	4.00	1.75	1.50	994501	4	-	-	20,000	-
	4.00	4.00	1.76	1.76	994502	4	-	-	20,000	-
	4.32	4.00	1.76	THD*	994403	3	-	-	12,000	Except 4000 Series, 1982 & older
	4.00	4.00	1.76	THD*	994405	3	994486	5	12,000	Threaded side bars
	4.00	4.00	1.84	1.84	994605	-	-	-	-	-
	3.25	4.00	1.76	THD*	994431	3	994486	5	12,000	Except 5000 Series for 994486
	4.32	4.00	1.77	1.77	994415	4	994486	5	20,000	-
	-	4.00	1.50	-	-	-	994588	6	20,000	-
	3.50	4.00	1.25	1.50	994606	2	-	-	12,000	2000, 3000, 4000, 8000 models Threaded side bars
	3.25	4.00	1.76	THD*	994607	3	-	-	12,000	8000, 9000 models. Threaded side bars.
	3.50	4.00	1.50	1.50	994613	4	-	-	20,000	2 smooth bushings.
4.00	4.00	1.84	1.84	994968	3	-	-	20,000	9000 models. 2 ribbed bushings.	
K E N W O R T H **	5.00	4.00	1.75	1.75	994426	4	994570 OR 994471	6	20,000	Offset side bar – T2000
	4.00	4.00	1.75	1.75	994425	4	994471 OR 994570	6	20,000	Older Conventional W900, uses 994425 if driver side aluminum hanger has been replaced with a steel hanger. Use 994427 or 994500 if aluminum.
	4.00	4.00	1.75	1.75	994427	4	994471 OR 994570	6	20,000	Offset side bar - New Conventional
	4.00	4.00	1.75	1.75	994500	4	-	-	20,000	Offset side bar - One threaded side bar, one thru hole side bar. Left side only.
	4.00	4.00	1.75	1.75	994612	4	-	-	20,000	Offset side bar - One threaded side bar, one thru hole side bar. Right side only.
M A C K	4.00	3.50	1.76	1.76	994428	4	-	-	20,000	CL model
	4.00	3.44	1.87	1.88	994513	4	994512	6	20,000	CH model
	4.00	4.00	1.88	1.88	994429	4	-	-	20,000	-
	4.00	3.50	1.50	1.76	994587	4	994586	5	20,000	RD & RB model
MAR-MON	3.50	4.00	1.50	1.50	994401	4	-	-	20,000	-
OTT-AWA	4.00	4.00	1.37	1.50	994593	4	-	-	12,000	-
P E T E R B I L T	3.50	3.50	1.50	1.50	994400	4	-	-	20,000	59 conventional can only use this kit If equipped with 3.50" wide hanger bracket
	3.50	4.00	1.50	1.50	994401	4	994434	6	20,000	C.O.E. & Conventional
	5.25	4.00	1.50	1.50	994408	4	994434	6	20,000	Setback
	3.50	4.00	1.50	1.50	994483	4	-	-	20,000	3.50 hanger width
	5.00 STEEL	4.00	1.50	1.50	994474	7	994434	6	20,000	Peterbilt Air Ride – 1.50 Collar 3 smooth bushings.
	4.61	4.00	1.50	1.50	994601	4	-	-	20,000	387 model
	5.25	4.00	1.75	1.50	994610	4	-	-	-	387 model
	3.50	4.00	1.75	1.50	994611	4	-	-	-	387 model

* 1.375 Threaded Bushing: Replaces OE Threaded Pin

** For Kenworth Front Anchor Kits, 994570 is used to replace greaseless rubber mounted bushings. 994471 is used to replace greasable bushings.

FRONT AND REAR BUSHING APPLICATIONS

TYCO - WESTERN STAR

	SIDE BAR C/L TO C/L	SPRING WIDTH	BUSHING O.D.		REAR SHACKLE (1 per side)		FRONT ANCHOR (1 per truck)		MAX. AXLE RATING	COMMENTS
			EYE	HANGAR	KIT	FIGURE P. 7-10	KIT	FIGURE P. 7-10		
TYCO	5.40	4.00	1.37	1.37	994599	4	-	-	16,000	-
VOLVO	3.69	3.00	1.38	1.84	994419	4	-	-	16,000	White GMC
	3.69	4.00	1.38	1.38	994417	4	-	-	16,000	W1A42T Conventional - Used with Hendrickson springs. White Auto Car Volvo White
	4.25	4.00	1.38	1.38	994424	4	-	-	16,000	White Auto Car
	3.69	4.00	1.38	1.84	994418	4	-	-	16,000	WG-64T - White GMC
	3.69	4.00	1.39	1.38	994520	4	-	-	16,000	Used with Krupp-Bruninghouse springs
	3.50	4.00	1.74	1.77	994596	4	-	-	20,000	VN model
WESTERN STAR	4.00	4.00	1.25	1.25	994473	4	-	-	12,000	-
	5.00	4.00	1.38	1.38	994472	4	-	-	16,000	-

If you are unable to locate an application that meets your specifications, see Page 4.

FRONT AND REAR BUSHING KITS (STANDARD PARTS)

ITEM	DESCRIPTION	ITEM	DESCRIPTION	ITEM	DESCRIPTION	ITEM	DESCRIPTION
1	Bushing Assembly	6	Shackle Side Bar	9	Hex. Head Locking Nut	12	Collar
3	Pin	7	Flat Washer	10	Grease Fitting		
5	Shim Washer	8	Hex. Head Cap Screw	11	Lock Washer		

REAR KIT WITH STANDARD SIDE BARS (RIBBED BUSHING IN HANGER BRACKET)

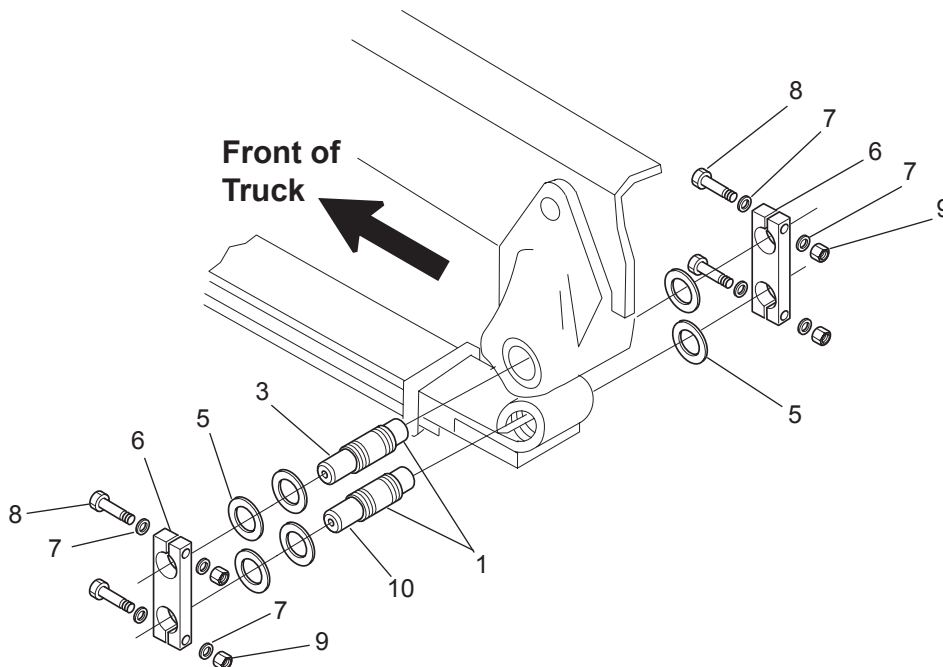


Figure 1