

FRONT AND REAR BUSHING APPLICATIONS

TYCO - WESTERN STAR

	SIDE BAR C/L TO C/L	SPRING WIDTH	BUSHING O.D.		REAR SHACKLE (1 per side)		FRONT ANCHOR (1 per truck)		MAX. AXLE RATING	COMMENTS
			EYE	HANGAR	KIT	FIGURE P. 7-10	KIT	FIGURE P. 7-10		
TYCO	5.40	4.00	1.37	1.37	994599	4	-	-	16,000	-
VOLVO	3.69	3.00	1.38	1.84	994419	4	-	-	16,000	White GMC
	3.69	4.00	1.38	1.38	994417	4	-	-	16,000	W1A42T Conventional - Used with Hendrickson springs. White Auto Car Volvo White
	4.25	4.00	1.38	1.38	994424	4	-	-	16,000	White Auto Car
	3.69	4.00	1.38	1.84	994418	4	-	-	16,000	WG-64T - White GMC
	3.69	4.00	1.39	1.38	994520	4	-	-	16,000	Used with Krupp-Bruninghouse springs
	3.50	4.00	1.74	1.77	994596	4	-	-	20,000	VN model
WESTERN STAR	4.00	4.00	1.25	1.25	994473	4	-	-	12,000	-
	5.00	4.00	1.38	1.38	994472	4	-	-	16,000	-

If you are unable to locate an application that meets your specifications, see Page 4.

FRONT AND REAR BUSHING KITS (STANDARD PARTS)

ITEM	DESCRIPTION	ITEM	DESCRIPTION	ITEM	DESCRIPTION	ITEM	DESCRIPTION
1	Bushing Assembly	6	Shackle Side Bar	9	Hex. Head Locking Nut	12	Collar
3	Pin	7	Flat Washer	10	Grease Fitting		
5	Shim Washer	8	Hex. Head Cap Screw	11	Lock Washer		

REAR KIT WITH STANDARD SIDE BARS (RIBBED BUSHING IN HANGER BRACKET)

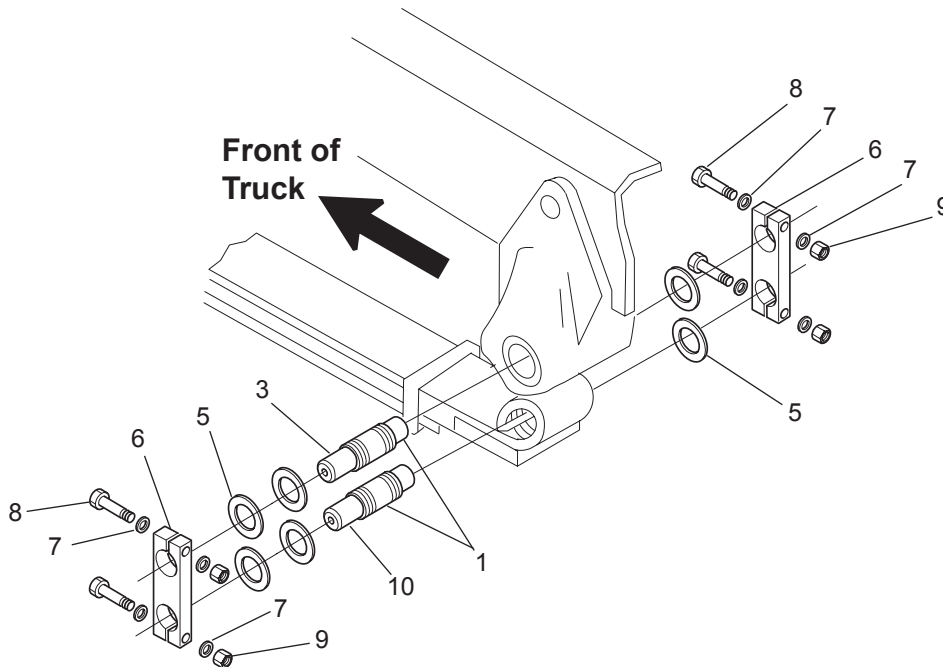


Figure 1

FRONT AND REAR BUSHING KITS (STANDARD PARTS)

ITEM	DESCRIPTION	ITEM	DESCRIPTION	ITEM	DESCRIPTION	ITEM	DESCRIPTION
1	Bushing Assembly	6	Shackle Side Bar	9	Hex. Head Locking Nut	12	Collar
3	Pin	7	Flat Washer	10	Grease Fitting		
5	Shim Washer	8	Hex. Head Cap Screw	11	Lock Washer		

REAR KIT WITH THREADED SIDE BARS

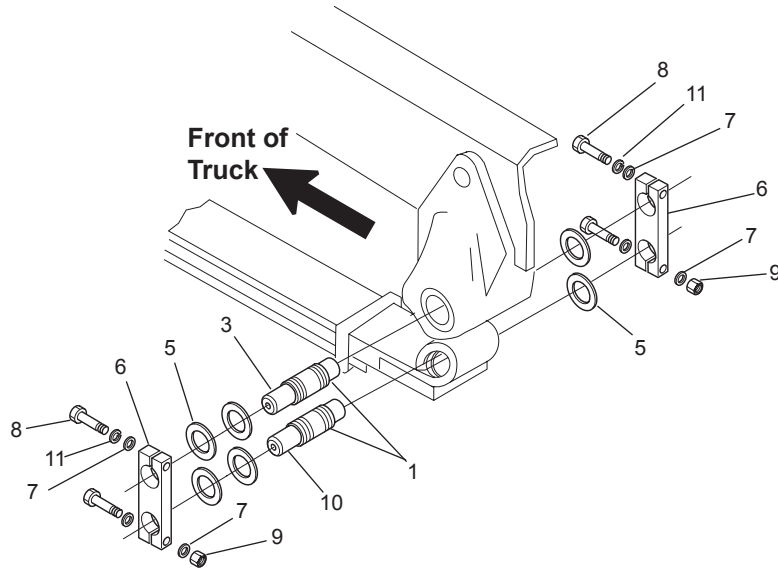


Figure 2

REAR KIT WITH THREADED BUSHING

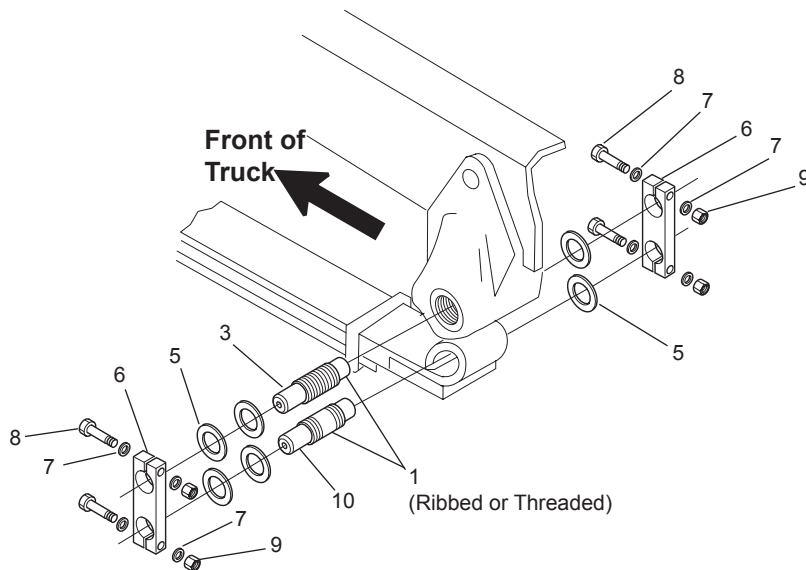


Figure 3

FRONT AND REAR BUSHING KITS (STANDARD PARTS)

ITEM	DESCRIPTION
1	Bushing Assembly
3	Pin
5	Shim Washer

ITEM	DESCRIPTION
6	Shackle Side Bar
7	Flat Washer
8	Hex. Head Cap Screw

ITEM	DESCRIPTION
9	Hex. Head Locking Nut
10	Grease Fitting
11	Lock Washer

ITEM	DESCRIPTION
12	Collar

REAR KIT WITH STANDARD SIDE BARS (SMOOTH BUSHING IN HANGER BRACKET)

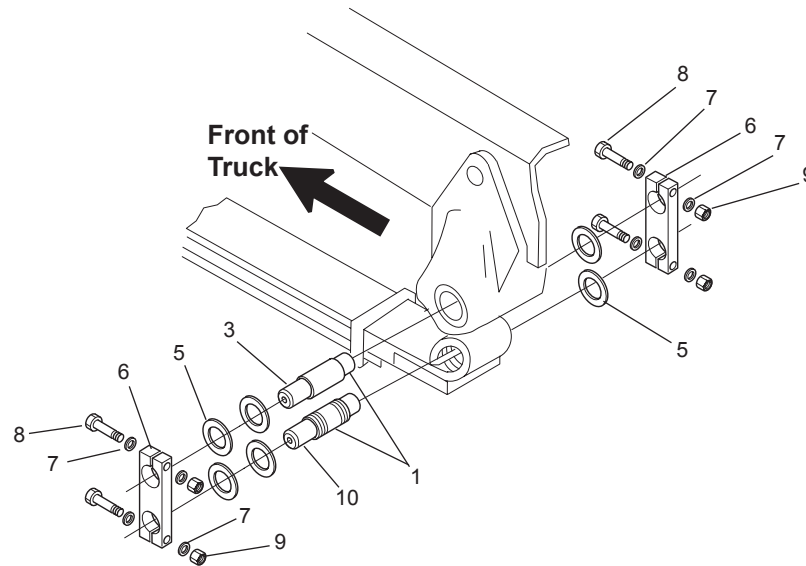


Figure 4

FRONT KIT ON BRACKET WITH LOCKING CAPS

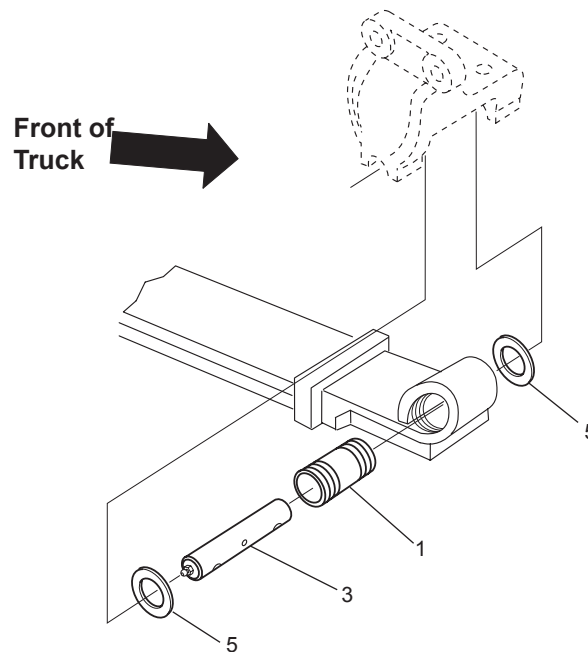


Figure 5

FRONT AND REAR BUSHING KITS (STANDARD PARTS)

ITEM	DESCRIPTION
1	Bushing Assembly
3	Pin
5	Shim Washer

ITEM	DESCRIPTION
6	Shackle Side Bar
7	Flat Washer
8	Hex. Head Cap Screw

ITEM	DESCRIPTION
9	Hex. Head Locking Nut
10	Grease Fitting
11	Lock Washer

ITEM	DESCRIPTION
12	Collar

FRONT KIT ON BRACKET WITH STEP PIN AND COLLAR

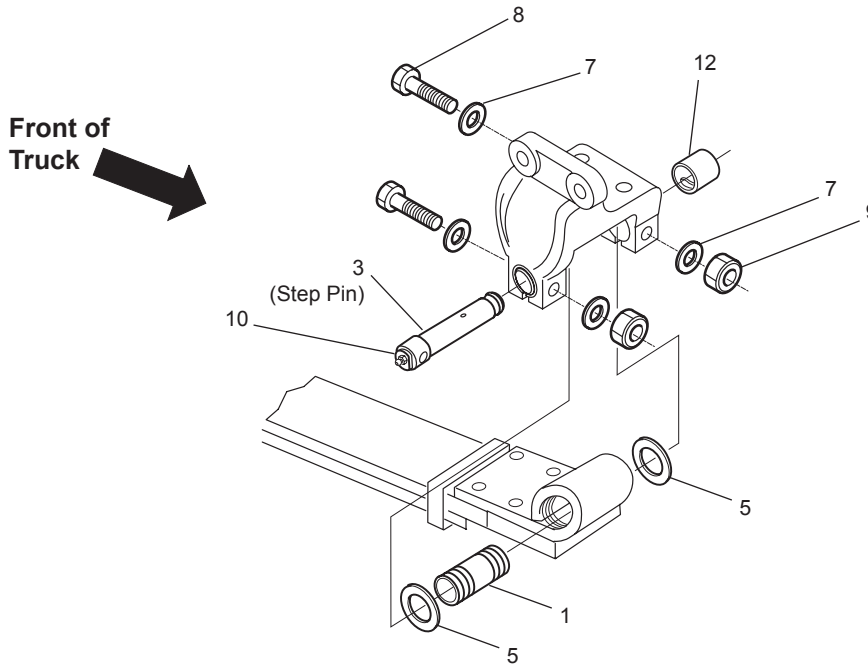
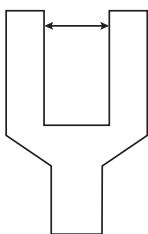


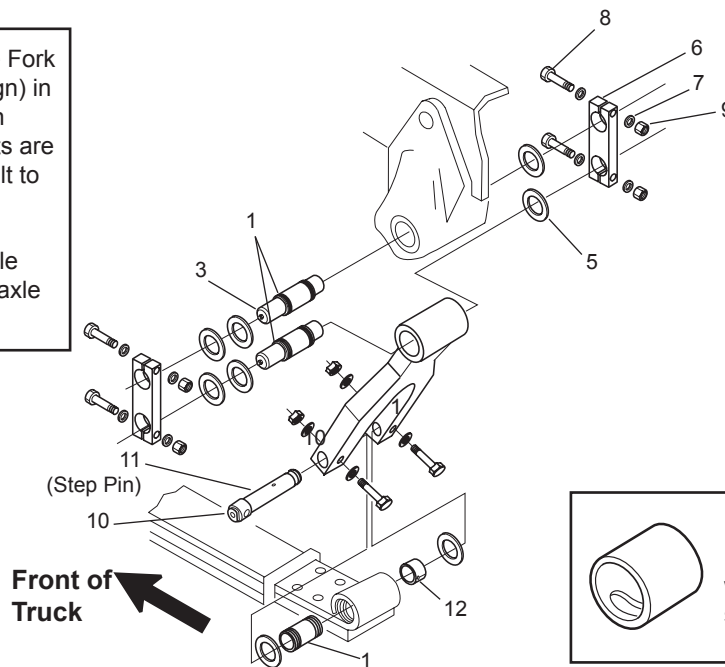
Figure 6


PETERBILT AIR RIDE PIN AND BUSHING KIT



NOTE: Spread on Yoke Fork must be 4.25" (new design) in order to install the Horton roller bushing. Retrofit kits are available through Peterbilt to update to current design.

23-13297 Set-forward axle
23-13298 Set-backward axle





Install Collar (Item 12) with hole end toward spring.

Figure 7