

# FRONT AND REAR BUSHING APPLICATIONS

## TYCO - WESTERN STAR

	SIDE BAR C/L TO C/L	SPRING WIDTH	BUSHING O.D.		REAR SHACKLE (1 per side)		FRONT ANCHOR (1 per truck)		MAX. AXLE RATING	COMMENTS
			EYE	HANGAR	KIT	FIGURE P. 7-10	KIT	FIGURE P. 7-10		
TYCO	5.40	4.00	1.37	1.37	994599	4	-	-	16,000	-
VOLVO	3.69	3.00	1.38	1.84	994419	4	-	-	16,000	White GMC
	3.69	4.00	1.38	1.38	994417	4	-	-	16,000	W1A42T Conventional - Used with Hendrickson springs. White Auto Car Volvo White
	4.25	4.00	1.38	1.38	994424	4	-	-	16,000	White Auto Car
	3.69	4.00	1.38	1.84	994418	4	-	-	16,000	WG-64T - White GMC
	3.69	4.00	1.39	1.38	994520	4	-	-	16,000	Used with Krupp-Bruninghouse springs
	3.50	4.00	1.74	1.77	994596	4	-	-	20,000	VN model
WESTERN STAR	4.00	4.00	1.25	1.25	994473	4	-	-	12,000	-
	5.00	4.00	1.38	1.38	994472	4	-	-	16,000	-

*If you are unable to locate an application that meets your specifications, see Page 4.*

## FRONT AND REAR BUSHING KITS (STANDARD PARTS)

ITEM	DESCRIPTION	ITEM	DESCRIPTION	ITEM	DESCRIPTION	ITEM	DESCRIPTION
1	Bushing Assembly	6	Shackle Side Bar	9	Hex. Head Locking Nut	12	Collar
3	Pin	7	Flat Washer	10	Grease Fitting		
5	Shim Washer	8	Hex. Head Cap Screw	11	Lock Washer		

### *REAR KIT WITH STANDARD SIDE BARS* (RIBBED BUSHING IN HANGER BRACKET)

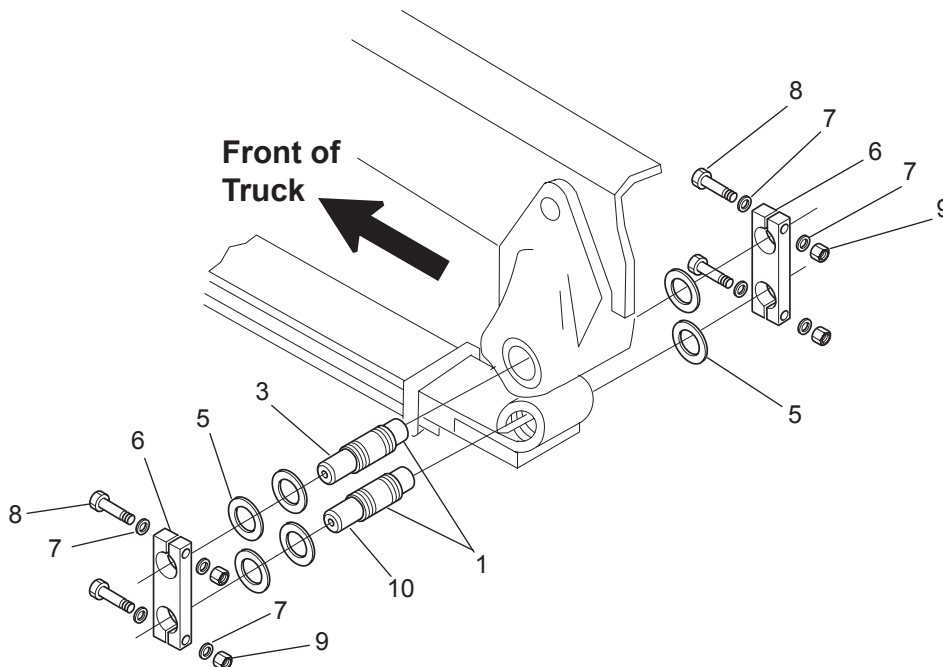


Figure 1